

## PowerSTAR®



## PMDC Product Line Catalog

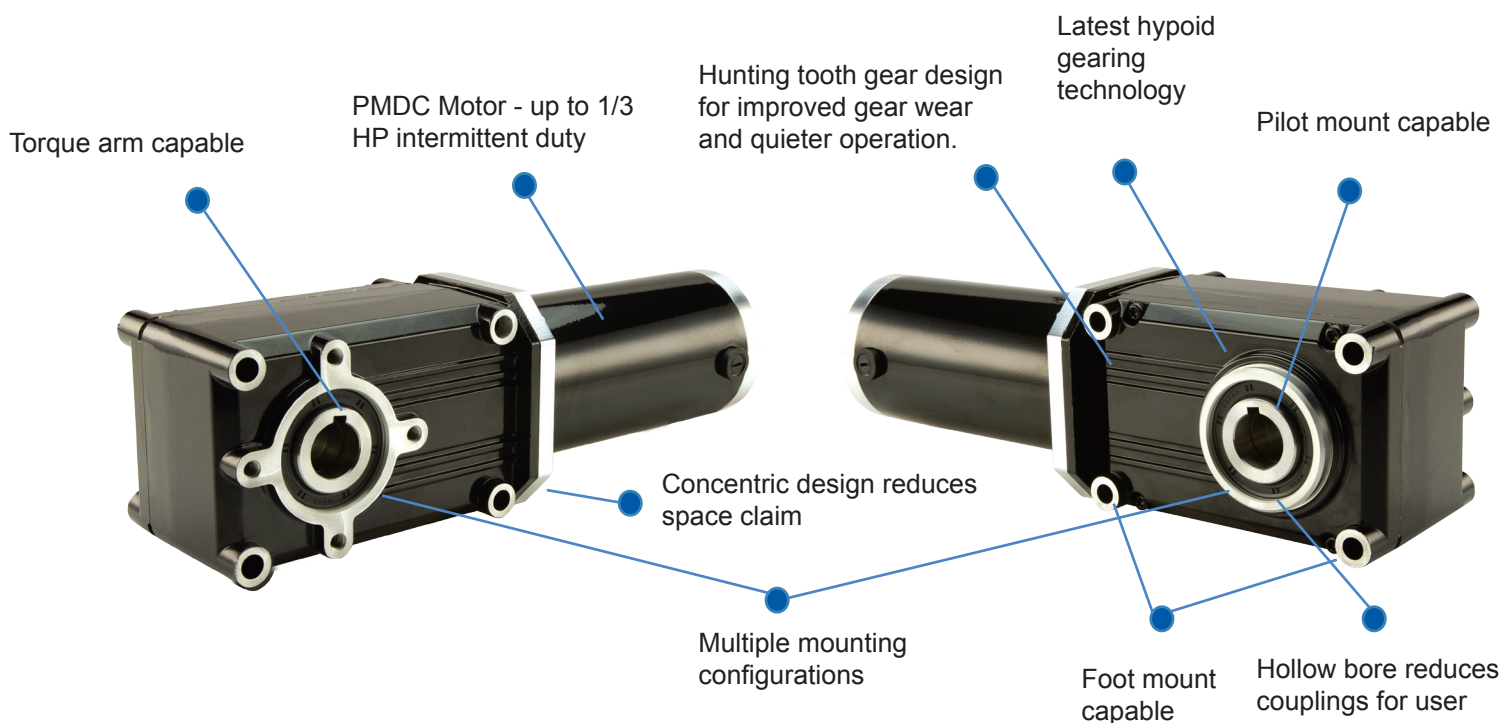
### Best-in-Class DC Right Angle Hypoid Gearmotors

- Advanced hypoid gearing technology for improved energy efficiency
- High start-up torque
- Variable speed control
- Maximum power density means a compact profile without compromising performance
- Exclusive PowerSTAR® EP lubricant for extended life
- Ground gearing provides whisper quiet operation, low backlash precision
- Custom options available
- Perfect for gate operators, pumping stations and conveyors!

## New Hypoid Gear Technology from Bison

The new right-angle design PowerSTAR® gearmotor combines the latest technology in hypoid gearing with Bison's long-established reputation of providing best-in-class power transmission solutions under our Robusticity® design philosophy. PowerSTAR features hypoid gearing manufactured using technology exclusive to Bison to offer several operational advantages:

- Higher torque capability
- Up to 4X more efficient than right-angle worm gearmotors
- Quieter operation
- Unmatched energy efficiency
- Available in Imperial and Metric sizes with AC & DC input motors



PowerSTAR's PMDC product offering includes 12V, 24V, 90V, 130V and 180V PMDC motor options on a 720, 725 and 730 gearbox in 13 standard ratios offering output torque from 42-1662 in-lbs. Other frame sizes and gearing packages coming soon.

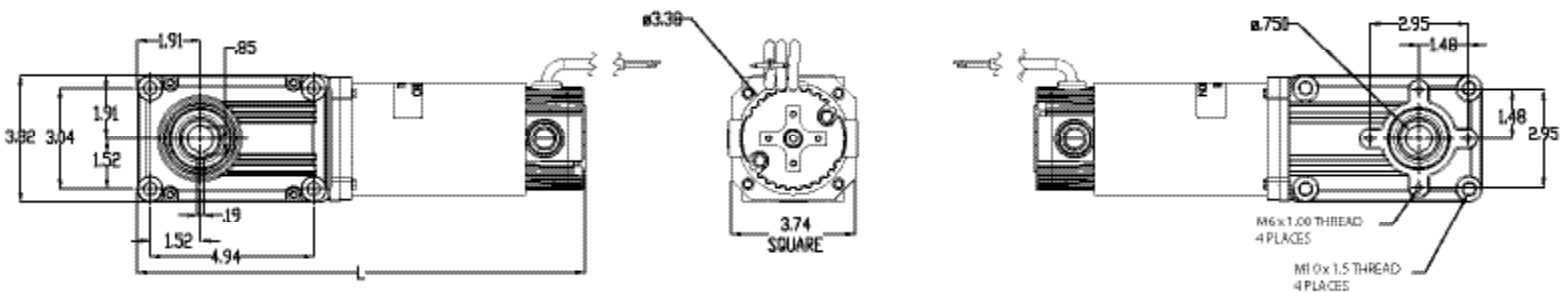
Bison's right-angle PowerSTAR gearmotor is ideally suited to drive higher torque at improved efficiencies in packaging, light industrial or other light-to-medium conveying applications, saving the end user on power consumption and cost.

PowerSTAR® 720 Series PMDC 12V right-angle gearmotor offers up to 442 in-lbs of torque running continuously for energy efficient operation in a sleek, compact profile. Uses a 32 Frame TENV PMDC motor with 36" cordset.



#### 720 Series PMDC 12V Gearmotor - TENV

Part Number	Speed (RPM)	Torque (in-lbs)	Input HP	Gear Ratio	OHL (lbs)	Amps
021-720A0010	180	35	1/8	10	270	11.6
021-720A0015	120	52	1/8	15	305	11.6
021-720A0020	90	70	1/8	20	330	11.6
021-720A0030	60	104	1/8	30	370	11.6
021-720A0040	45	139	1/8	40	400	11.6
021-720A0050	36	173	1/8	50	430	11.6
021-720A0060	30	208	1/8	60	455	11.6
021-720A0080	23	277	1/8	80	490	11.6
021-720A0100	18	346	1/8	100	525	11.6
021-720A0120	15	415	1/8	120	550	11.6
021-720A0150	12	277	1/15	150	635	6.5
021-720A0180	10	332	1/15	180	670	6.5
021-720A0240	7.5	442	1/15	240	725	6.5

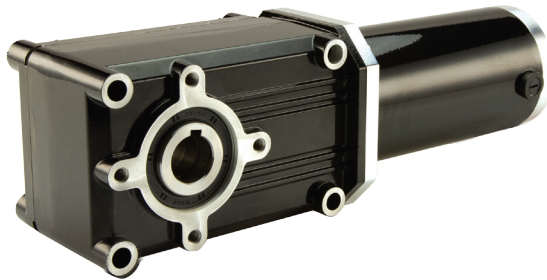


L  
L = Gearmotor length:  
1/8 HP: 13.57  
1/15 HP: 11.91

DC GEARMOTOR  
WHITE +LINE  
BLACK -LINE  
GREEN GROUND  
To reverse rotation interchange white and black leads

## Maximum Efficiency Right-angle Gearmotors

### 720 PMDC 24V

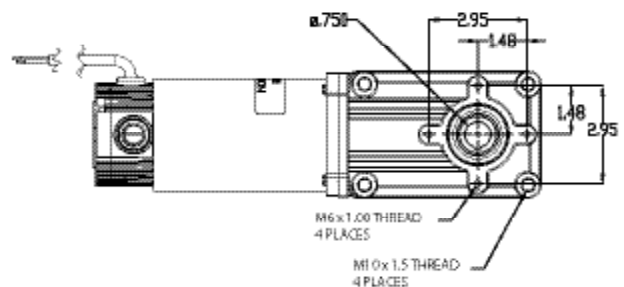
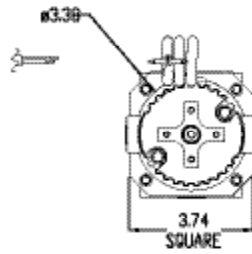
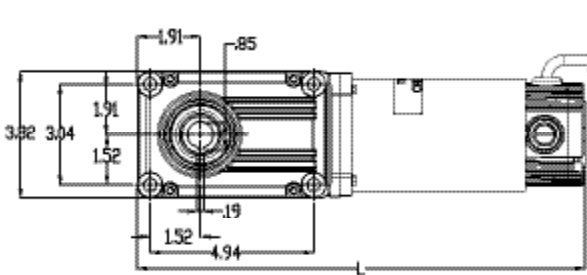


PowerSTAR® 720 Series PMDC 24V right-angle gearmotor offers up to 442 in-lbs of torque running continuously for energy efficient operation in a sleek, compact profile. Uses a 32 Frame TENV PMDC motor with 36" cordset.

#### 720 Series PMDC 24V Gearmotor - TENV

Part Number	Speed (RPM)	Rated Torque	Input HP	Gear Ratio	OHL (lbs)	Amps
021-720C0010	180	35	1/8	10	270	5.9
021-720C0015	120	52	1/8	15	305	5.9
021-720C0020	90	70	1/8	20	330	5.9
021-720C0030	60	104	1/8	30	370	5.9
021-720C0040	45	139	1/8	40	400	5.9
021-720C0050	36	173	1/8	50	430	5.9
021-720C0060	30	208	1/8	60	455	5.9
021-720C0080	23	277	1/8	80	490	5.9
021-720C0100	18	346	1/8	100	525	5.9
021-720C0120	15	415	1/8	120	550	5.9
021-720C0150	12	277	1/15	150	635	3.2
021-720C0180	10	332	1/15	180	670	3.2
021-720C0240	7.5	442	1/15	240	725	3.2

See accessories on page 16



L  
L = Gearmotor length:  
1/8 HP: 13.57  
1/15 HP: 11.91

DC GEARMOTOR  
WHITE +LINE  
BLACK -LINE  
GREEN GROUND  
To reverse rotation interchange white and black leads

## Maximum Efficiency Right-angle Gearmotors

### 720 PMDC 90V

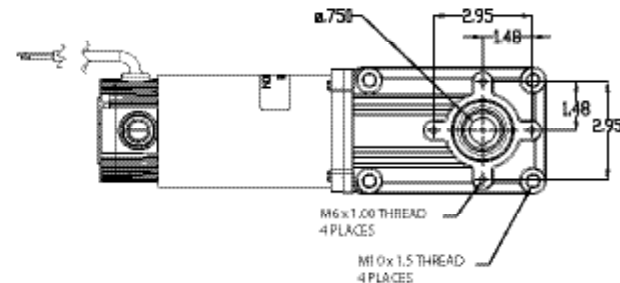
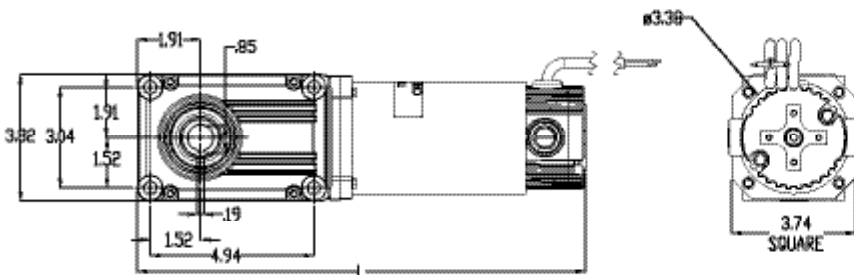
PowerSTAR® 720 Series PMDC 90V right-angle gearmotor offers up to 442 in-lbs of torque running continuously for energy efficient operation in a sleek, compact profile. Uses a 32 Frame TENV PMDC motor with 36" cordset.



#### 720 Series PMDC 90V Gearmotor - TENV

Part Number	Speed (RPM)	Rated Torque (in-lbs)	Input HP	Gear Ratio	OHL (lbs)	Amps
021-720D0010	180	35	1/8	10	270	1.6
021-720D0015	120	52	1/8	15	305	1.6
021-720D0020	90	70	1/8	20	330	1.6
021-720D0030	60	104	1/8	30	370	1.6
021-720D0040	45	139	1/8	40	400	1.6
021-720D0050	36	173	1/8	50	430	1.6
021-720D0060	30	208	1/8	60	455	1.6
021-720D0080	23	277	1/8	80	490	1.6
021-720D0100	18	346	1/8	100	525	1.6
021-720D0120	15	415	1/8	120	550	1.6
021-720D0150	12	277	1/15	150	635	0.8
021-720D0180	10	332	1/15	180	670	0.8
021-720D0240	7.5	442	1/15	240	725	0.8

See accessories on page 16

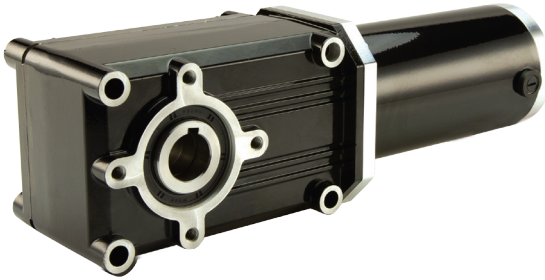


L  
L = Gearmotor length:  
1/8 HP: 13.57  
1/15 HP: 11.91

DC GEARMOTOR  
WHITE +LINE  
BLACK -LINE  
GREEN GROUND  
To reverse rotation interchange white and black leads

## Maximum Efficiency Right-angle Gearmotors

### 720 PMDC 130V

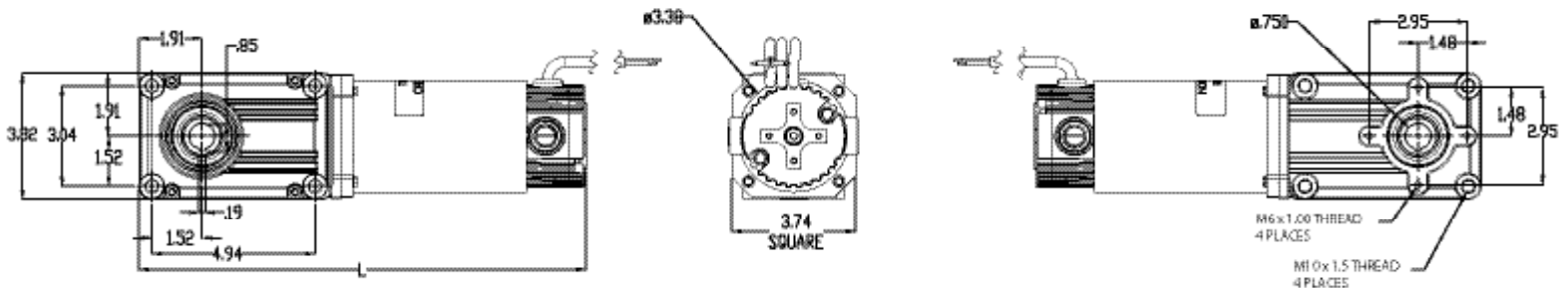


PowerSTAR® 720 Series PMDC 130V right-angle gearmotor offers up to 415 in-lbs of torque running continuously for energy efficient operation in a sleek, compact profile. Uses a 32 Frame TENV PMDC motor with 36" cordset.

#### 720 Series PMDC 130V Gearmotor - TENV

Part Number	Speed (RPM)	Torque (in-lbs)	Input HP	Gear Ratio	OHL (lbs)	Amps
021-720E0010	180	35	1/8	10	270	1.1
021-720E0015	120	52	1/8	15	305	1.1
021-720E0020	90	70	1/8	20	330	1.1
021-720E0030	60	104	1/8	30	370	1.1
021-720E0040	45	139	1/8	40	400	1.1
021-720E0050	36	173	1/8	50	430	1.1
021-720E0060	30	208	1/8	60	455	1.1
021-720E0080	23	277	1/8	80	490	1.1
021-720E0100	18	346	1/8	100	525	1.1
021-720E0120	15	415	1/8	120	550	1.1

See accessories on page 16



L
L = Gearmotor length:
1/8 HP: 13.57
1/15 HP: 11.91

DC GEARMOTOR	
WHITE	+LINE
BLACK	-LINE
GREEN	GROUND
To reverse rotation interchange white and black leads	

## Maximum Efficiency Right-angle Gearmotors 720 PMDC 180V

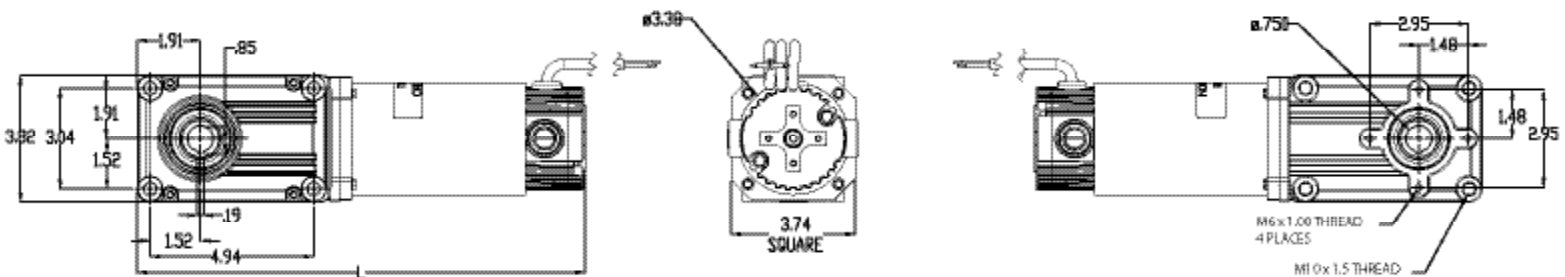
PowerSTAR® 720 Series PMDC 180V right-angle gearmotor offers up to 415 in-lbs of torque running continuously for energy efficient operation in a sleek, compact profile. Uses a 32 Frame TENV PMDC motor with 36" cordset.



### 720 Series PMDC 180V Gearmotor - TENV

Part Number	Speed (RPM)	Rated Torque (in-lbs)	Input HP	Gear Ratio	OHL (lbs)	Amps
021-720F0010	180	35	1/8	10	270	0.8
021-720F0015	120	52	1/8	15	305	0.8
021-720F0020	90	70	1/8	20	330	0.8
021-720F0030	60	104	1/8	30	370	0.8
021-720F0040	45	139	1/8	40	400	0.8
021-720F0050	36	173	1/8	50	430	0.8
021-720F0060	30	208	1/8	60	455	0.8
021-720F0080	23	277	1/8	80	490	0.8
021-720F0100	18	346	1/8	100	525	0.8
021-720F0120	15	415	1/8	120	550	0.8

See accessories on page 16

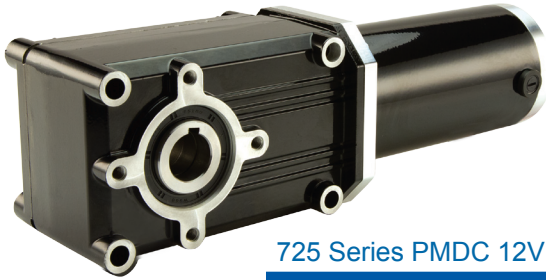


L
L = Gearmotor length:
1/8 HP: 13.57
1/15 HP: 11.91

DC GEARMOTOR	
WHITE	+LINE
BLACK	-LINE
GREEN	GROUND
To reverse rotation interchange white and black leads	

## Maximum Efficiency Right-angle Gearmotors

### 725 PMDC 12V



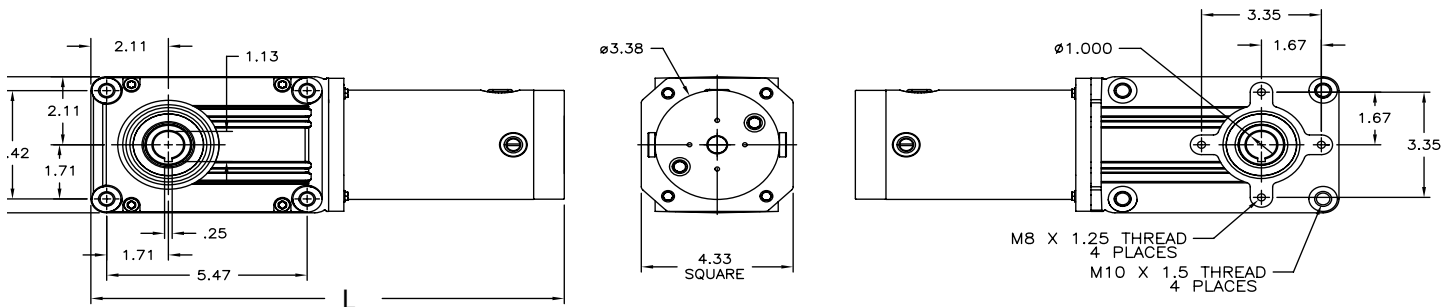
PowerSTAR® 725 Series PMDC 12V right-angle gearmotor offers up to 831 in-lbs of torque running continuously for energy efficient operation in a sleek, compact profile. Uses a 32 Frame TENV PMDC motor with 36" cordset.

#### 725 Series PMDC 12V Gearmotor - TENV

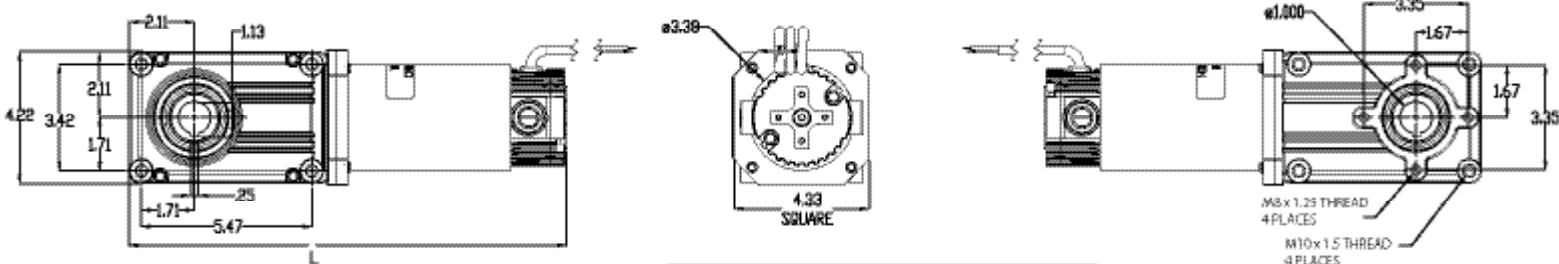
Part Number	Speed (RPM)	Torque (in-lbs)	Input HP	Gear Ratio	OHL (lbs)	Amps
021-725A0010	200	55	1/5	10	355	18.6
021-725A0015	133	83	1/5	15	400	18.6
021-725A0020	100	111	1/5	20	430	18.6
021-725A0030	67	166	1/5	30	475	18.6
021-725A0040	50	222	1/5	40	510	18.6
021-725A0050	40	277	1/5	50	550	18.6
021-725A0060	33	332	1/5	60	580	18.6
021-725A0080	25	443	1/5	80	620	18.6
021-725A0100	18	346	1/8	100	740	11.6
021-725A0120	15	415	1/8	120	780	11.6
021-725A0150	12	519	1/8	150	820	11.6
021-725A0180	10	623	1/8	180	870	11.6
021-725A240	7.5	831	1/8	240	940	11.6

See accessories on page 16

725 1/5HP Drawing



725 1/8HP Drawing



L = Gearmotor length:  
1/8 HP: 14.01  
1/5 HP: 15.32

DC GEARMOTOR  
 WHITE +LINE  
 BLACK -LINE  
 GREEN GROUND  
 To reverse rotation interchange white and black leads

## Maximum Efficiency Right-angle Gearmotors

### 725 PMDC 24V

PowerSTAR® 725 Series PMDC 24V right-angle gearmotor offers up to 831 in-lbs of torque running continuously for energy efficient operation in a sleek, compact profile. Uses a 32 Frame TENV PMDC motor with 36" cordset.

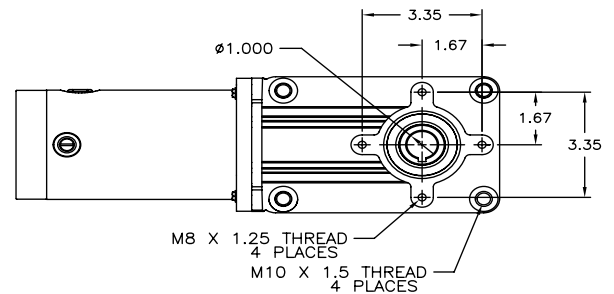
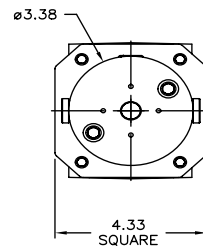
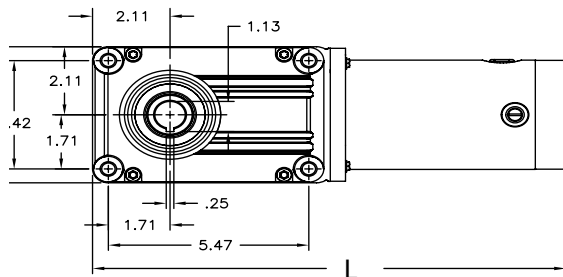


#### 725 Series PMDC 24V Gearmotor - TENV

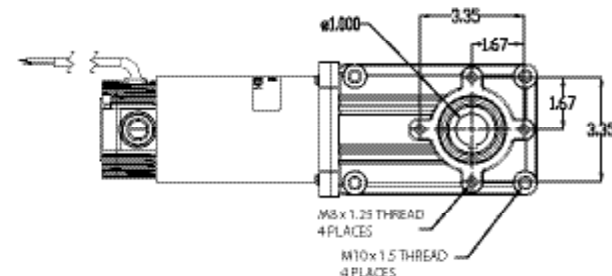
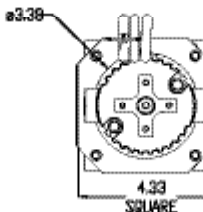
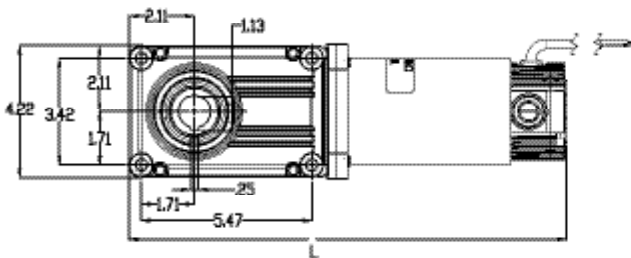
Part Number	Speed (RPM)	Torque (in-lbs)	Input HP	Gear Ratio	OHL (lbs)	Amps
021-725C0010	180	55	1/5	10	355	9.5
021-725C0015	120	83	1/5	15	400	9.5
021-725C0020	90	111	1/5	20	430	9.5
021-725C0030	60	166	1/5	30	475	9.5
021-725C0040	45	222	1/5	40	510	9.5
021-725C0050	36	277	1/5	50	550	9.5
021-725C0060	30	332	1/5	60	580	9.5
021-725C0080	23	443	1/5	80	620	9.5
021-725C0100	18	346	1/8	100	740	5.9
021-725C0120	15	415	1/8	120	780	5.9
021-725C0150	12	519	1/8	150	820	5.9
021-725C0180	10	623	1/8	180	870	5.9
021-725C0240	7.5	831	1/8	240	940	5.9

See accessories on page 16

725 1/5HP Drawing



725 1/8HP Drawing



L = Gearmotor length:

1/8 HP: 14.01  
1/5 HP: 15.32

#### DC GEARMOTOR

WHITE +LINE

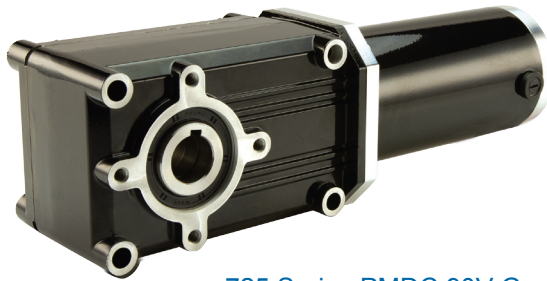
BLACK -LINE

GREEN GROUND

To reverse rotation interchange white and black leads

## Maximum Efficiency Right-angle Gearmotors

### 725 PMDC 90V



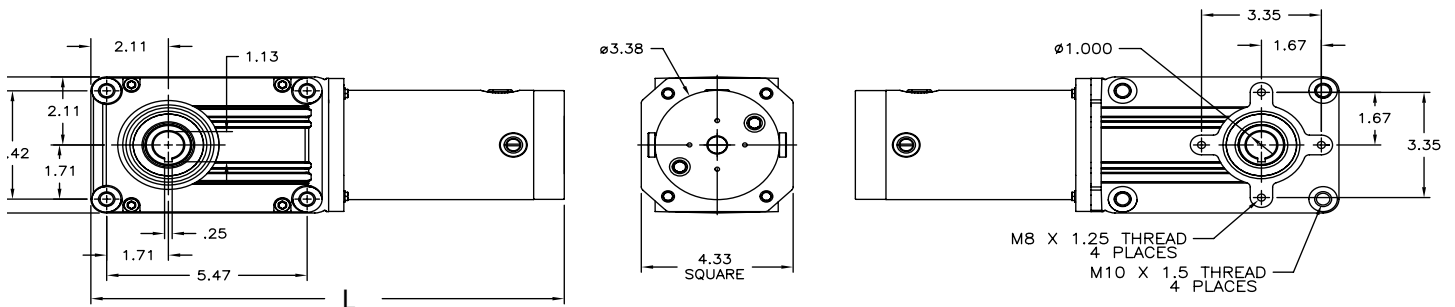
PowerSTAR® 725 Series PMDC 90V right-angle gearmotor offers up to 831 in-lbs of torque running continuously for energy efficient operation in a sleek, compact profile. Uses a 32 Frame TENV PMDC motor with 36" cordset.

#### 725 Series PMDC 90V Gearmotor - TENV

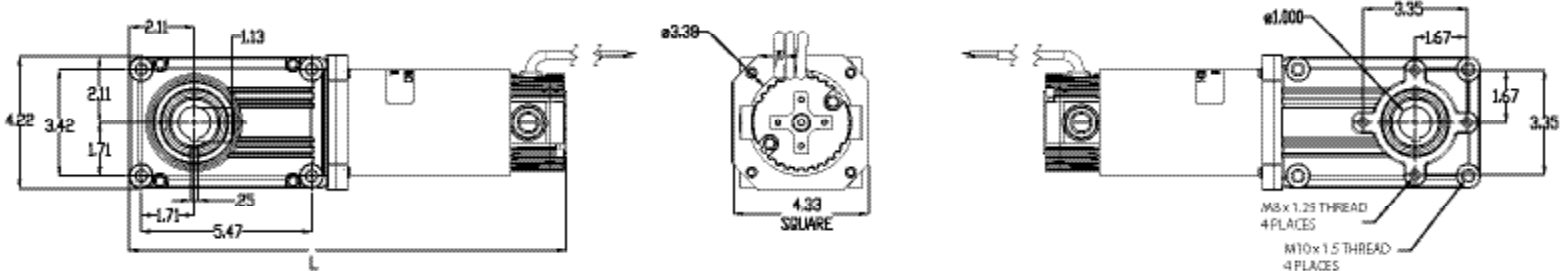
Part Number	Speed (RPM)	Torque (in-lbs)	Input HP	Gear Ratio	OHL (lbs)	Amps
021-725D0010	180	55	1/5	10	355	2.3
021-725D0015	120	83	1/5	15	400	2.3
021-725D0020	90	111	1/5	20	430	2.3
021-725D0030	60	166	1/5	30	475	2.3
021-725D0040	45	222	1/5	40	510	2.3
021-725D0050	36	277	1/5	50	550	2.3
021-725D0060	30	332	1/5	60	580	2.3
021-725D0080	23	443	1/5	80	620	2.3
021-725D0100	18	346	1/8	100	740	1.6
021-725D0120	15	415	1/8	120	780	1.6
021-725D0150	12	519	1/8	150	820	1.6
021-725D0180	10	623	1/8	180	870	1.6
021-725D0240	7.5	831	1/8	240	940	1.6

See accessories on page 16

#### 725 1/5HP Drawing



#### 725 1/8HP Drawing



L = Gearmotor length:

1/8 HP: 14.01  
1/5 HP: 15.32

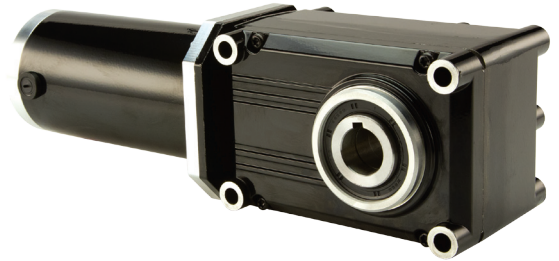
#### DC GEARMOTOR

WHITE +LINE  
BLACK -LINE  
GREEN GROUND

To reverse rotation interchange white and black leads

## Maximum Efficiency Right-angle Gearmotors 725 PMDC 130V

PowerSTAR® 725 Series PMDC 130V right-angle gearmotor offers up to 831 in-lbs of torque running continuously for energy efficient operation in a sleek, compact profile. Uses a 32 Frame TENV PMDC motor with 36" cordset.

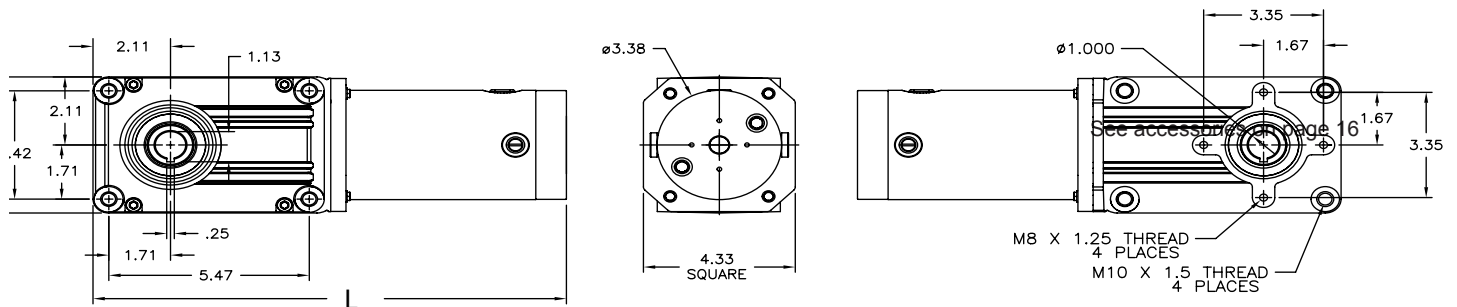


### 725 Series PMDC 130V Gearmotor - TENV

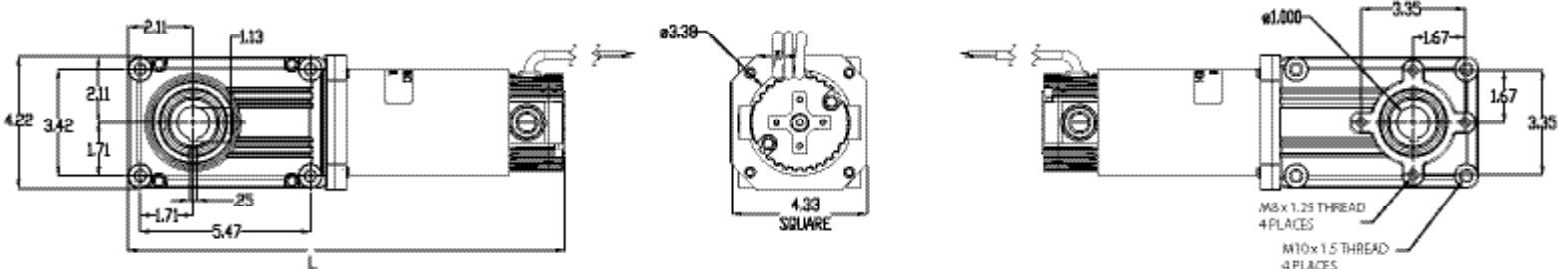
Part Number	Speed (RPM)	Torque (in-lbs)	Input HP	Gear Ratio	OHL (lbs)	Amps
021-725E0010	180	55	1/5	10	355	1.7
021-725E0015	120	83	1/5	15	400	1.7
021-725E0020	90	111	1/5	20	430	1.7
021-725E0030	60	166	1/5	30	475	1.7
021-725E0040	45	222	1/5	40	510	1.7
021-725E0050	36	277	1/5	50	550	1.7
021-725E0060	30	332	1/5	60	580	1.7
021-720E0080	23	443	1/5	80	620	1.7
021-725E0100	18	346	1/8	100	740	1.2
021-725E0120	15	415	1/8	120	780	1.2
021-725E0150	12	519	1/8	150	820	1.2
021-725E0180	10	623	1/8	180	870	1.2
021-725E0240	7.5	831	1/8	240	940	1.2

See accessories on page 16

725 1/5HP Drawing



725 1/8HP Drawing



L = Gearmotor length:

1/8 HP: 14.01  
1/5 HP: 15.32

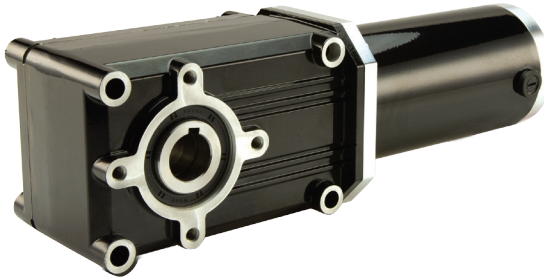
### DC GEARMOTOR

WHITE +LINE  
BLACK -LINE  
GREEN GROUND

To reverse rotation interchange white and black leads

## Maximum Efficiency Right-angle Gearmotors

### 725 PMDC 180V



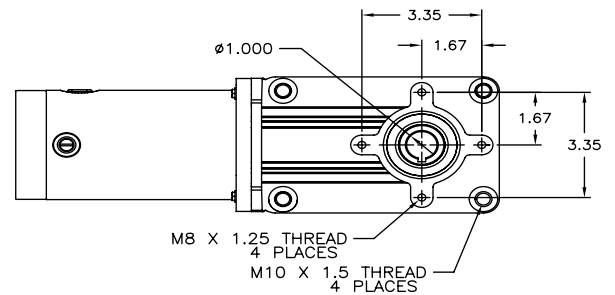
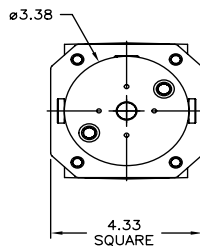
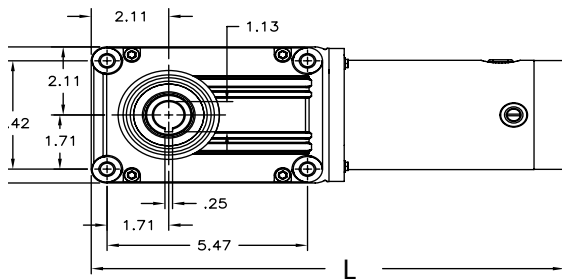
PowerSTAR® 725 Series PMDC 180V right-angle gearmotor offers up to 831 in-lbs of torque running continuously for energy efficient operation in a sleek, compact profile. Uses a 32 Frame TENV PMDC motor with 36" cordset.

#### 725 Series PMDC 180V Gearmotor - TENV

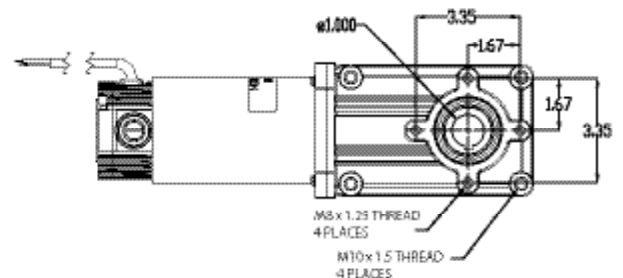
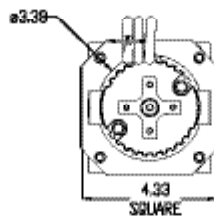
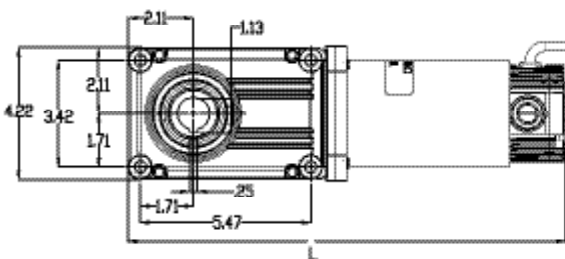
Part Number	Speed (RPM)	Torque (in-lbs)	Input HP	Gear Ratio	OHL (lbs)	Amps
021-725F0010	180	55	1/5	10	355	1.1
021-725F0015	120	83	1/5	15	400	1.1
021-725F0020	90	111	1/5	20	430	1.1
021-725F0030	60	166	1/5	30	475	1.1
021-725F0040	45	222	1/5	40	510	1.1
021-725F0050	36	277	1/5	50	550	1.1
021-725F0060	30	332	1/5	60	580	1.1
021-725F0080	23	443	1/5	80	620	1.1
021-725F0100	18	346	1/8	100	740	0.8
021-725F0120	15	415	1/8	120	780	0.8
021-725F0150	12	519	1/8	150	820	0.8
021-725F0180	10	623	1/8	180	870	0.8
021-725F0240	7.5	831	1/8	240	940	0.8

See accessories on page 16

725 1/5HP Drawing



725 1/8HP Drawing



L = Gearmotor length:

1/8 HP: 14.01  
1/5 HP: 15.32

#### DC GEARMOTOR

WHITE +LINE

BLACK -LINE

GREEN GROUND

To reverse rotation interchange white and black leads

## Maximum Efficiency Right-angle Gearmotors

### 730 PMDC 24V

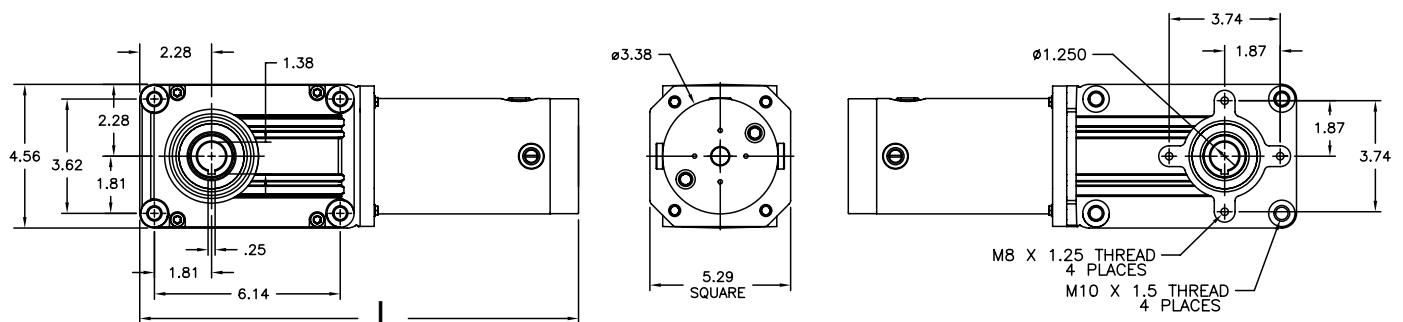
PowerSTAR® 730 Series PMDC 24V right-angle gearmotor offers up to 1662 in-lbs of torque running continuously for energy efficient operation in a sleek, compact profile. Uses a 32 Frame TENV PMDC motor with 36" cordset.



#### 730 Series PMDC 24V Gearmotor - TENV

Part Number	Speed (RPM)	Torque (in-lbs)	Input HP	Gear Ratio	OHL (lbs)	Amps
021-730C0010	250	79	1/3	10	465	13.3
021-730C0015	167	118	1/3	15	520	13.3
021-730C0020	125	158	1/3	20	565	13.3
021-730C0030	83	236	1/3	30	625	13.3
021-730C0040	63	315	1/3	40	675	13.3
021-730C0050	50	394	1/3	50	720	13.3
021-730C0060	42	472	1/3	60	760	13.3
021-730C0080	31	629	1/3	80	820	13.3
021-730C0100	25	692	1/4	100	910	11.2
021-730C0120	21	831	1/4	120	965	11.2
021-730C0150	17	1039	1/4	150	1010	11.2
021-730C0180	14	1246	1/4	180	1050	11.2
021-730C0240	10	1662	1/4	240	1120	11.2

See accessories on page 16



L	
L = Gearmotor length:	
1/3 HP:	16.77
1/4 HP:	16.41

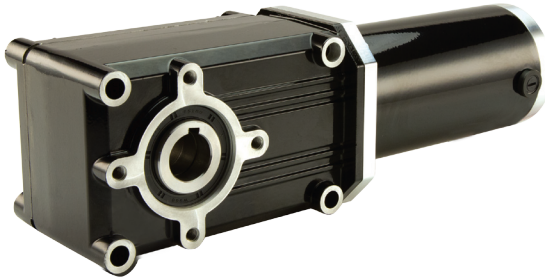
DC GEARMOTOR

WHITE	+LINE
BLACK	-LINE
GREEN	GROUND

To reverse rotation interchange white and black leads

## Maximum Efficiency Right-angle Gearmotors

### 730 PMDC 90V



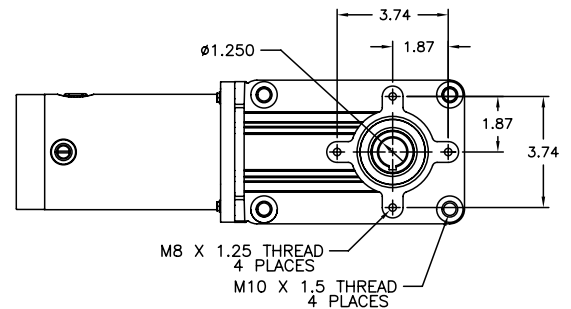
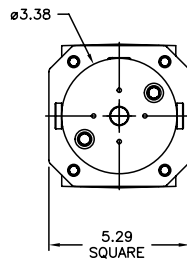
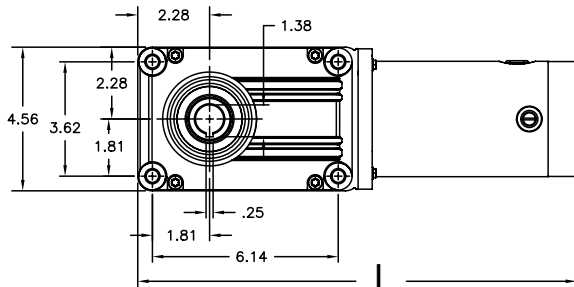
PowerSTAR® 730 Series PMDC 90V right-angle gearmotor offers up to 1662 in-lbs of torque running continuously for energy efficient operation in a sleek, compact profile. Uses a 32 Frame TENV PMDC motor with 36" cordset.

#### 730 Series PMDC 90V Gearmotor - TENV

Part Number	Speed (RPM)	Torque (in-lbs)	Input HP	Gear Ratio	OHL (lbs)	Amps
021-730D0010	210	79	1/3	10	465	3.5
021-730D0015	141	118	1/3	15	520	3.5
021-730D0020	106	158	1/3	20	565	3.5
021-730D0030	70	236	1/3	30	625	3.5
021-730D0040	53	315	1/3	40	675	3.5
021-730D0050	42	394	1/3	50	720	3.5
021-730D0060	35	472	1/3	60	760	3.5
021-730D0080	26	629	1/3	80	820	3.5
021-730D0100	18	692	1/4	100	910	3.0
021-730D0120	15	831	1/4	120	965	3.0
021-730D0150	12	1039	1/4	150	1010	3.0
021-730D0180	10	1246	1/4	180	1050	3.0
021-730D0240	7.5	1662	1/4	240	1120	3.0

on page 13

See accessories on page 16



L	
L = Gearmotor length:	
1/3 HP:	16.77
1/4 HP:	16.41

**DC GEARMOTOR**

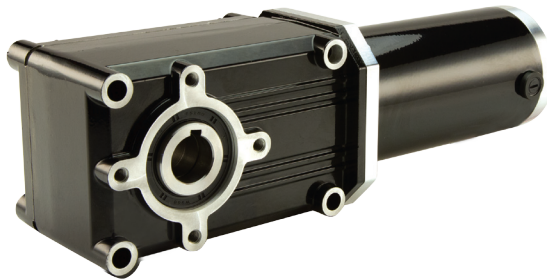
WHITE	+LINE
BLACK	-LINE
GREEN	GROUND

To reverse rotation interchange white and black leads



## Maximum Efficiency Right-angle Gearmotors

### 730 PMDC 180V

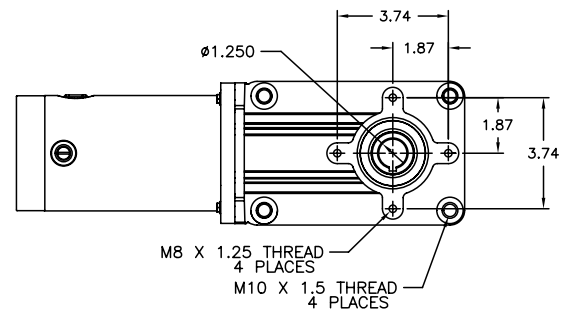
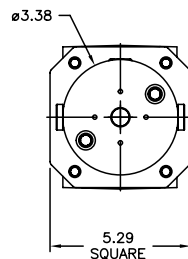
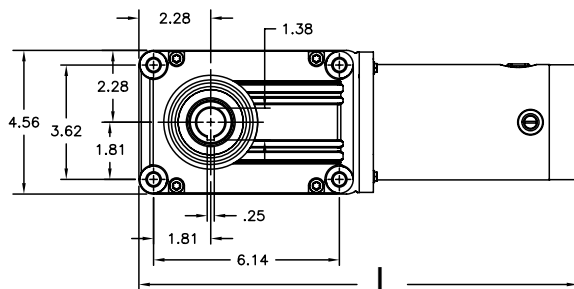


PowerSTAR® 730 Series PMDC 180V right-angle gearmotor offers up to 1662 in-lbs of torque running continuously for energy efficient operation in a sleek, compact profile. Uses a 32 Frame TENV PMDC motor with 36" cordset.

#### 730 Series PMDC 180V Gearmotor - TENV

Part Number	Speed (RPM)	Torque (in-lbs)	Input HP	Gear Ratio	OHL (lbs)	Amps
021-730F0010	210	79	1/3	10	465	1.8
021-730F0015	141	118	1/3	15	520	1.8
021-730F0020	106	158	1/3	20	565	1.8
021-730F0030	70	236	1/3	30	625	1.8
021-730F0040	53	315	1/3	40	675	1.8
021-730F0050	42	394	1/3	50	720	1.8
021-730F0060	35	472	1/3	60	760	1.8
021-730F0080	26	629	1/3	80	820	1.8
021-730F0100	18	692	1/4	100	910	1.6
021-730F0120	15	831	1/4	120	965	1.6
021-730F0150	12	1039	1/4	150	1010	1.6
021-730F0180	10	1246	1/4	180	1050	1.6
021-730F0240	7.5	1662	1/4	240	1120	1.6

See accessories on page 16



L	
L = Gearmotor length:	
1/3 HP:	16.77
1/4 HP:	16.41

#### DC GEARMOTOR

WHITE	+LINE
BLACK	-LINE
GREEN	GROUND

To reverse rotation interchange white and black leads



### Output Shaft Covers

Series	Part #
720	171-720-1000
725	171-725-1020
730	171-730-1000

### Output Shaft Cover

The PowerSTAR® output shaft cover provides protection against corrosion and contamination in dirty environments.



### Mounting Footplate

Series	Part #
720	P125-720-1000
725	P125-725-1000
730	P125-730-1000

### Mounting Footplate

The PowerSTAR mounting plate accessory allows the gearmotor to be easily specified into your application by mounting to any flat surface.



### Torque Arm

Series	Part #
720	P125-720-1030
725	P125-725-1030
730	P125-730-1030

### Torque Arm

The PowerSTAR torque arm is a mounting bracket that provides easy application fit on equipment where space is limited.



### Output Shaft Inserts

Series	Part #
720	P108-720-5000
725	P108-725-5000
730	P108-730-5000

### Output Shaft Inserts

For even greater mounting versatility, Bison offers standard carbon steel keyed output shaft inserts for the PowerSTAR product line.

Designed to be easily field mounted on Bison PMDC motors, the speed control TightDrive is mounted within an aluminum extrusion for superior heat dissipation. Easy on/off control and 3 potentiometers provide settings for min/max RPM and current limit.



### TightDrive

### Tight Drive Motor Mounted Speed Control

Part Number	Input Voltage	Output Voltage	Max Current	Max Output Power	Enclosure Rating	Reversible?	Form Factor
170-113-0003	115V 1 PH, 60 Hz	90V DC	2.5 Amps	1/6 HP, 124 W	IP 30	Non-Reversible	1.37

## Bison Encoder & Armature Shaft Extension

### Bison Shaft Mount Encoder

Part Number	Voltage	Pulses	Channels
P208-010-0012	5	12	1
P208-010-0030	5	30	1
P208-010-0100	5	100	1
P208-010-2030	5	30	2

### Bison Shaft Mount Encoder (Required for mounting)

Part Number	Dia.	Length
108-100-0316	.184"	0.88"



Shaft Mount Encoder

Armature Shaft Extension

### AC

AC companion sizes are available for all DC gearmotor sizes and ratios listed in this brochure. Consult our customer service or application team for more information at **+1.630.377.4327**.

#### DC PowerSTAR Part Number

021-725A0180 - PMDC 725 Series 12VDC 180:1 Ratio

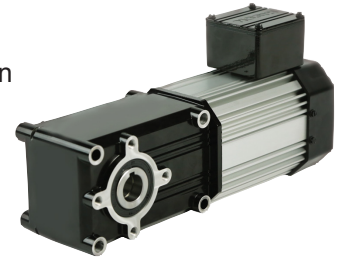
#### Companion AC Part Number

026-725A0180 - AC 725 Series 115VAC Single Phase 180:1 Ratio

027-725G0180 - AC 725 Series 230VAC **Three Phase** 180:1 Ratio

#### Metric Part Number - AC ONLY

026M725G0180 - AC 725 Series 230VAC **Three Phase** 180:1 Ratio, **Metric**



#### Metric Sizes

720 Series = 20 mm Hollow Shaft ID

725 Series = 25 mm Hollow Shaft ID

730 Series = 30 mm Hollow Shaft ID

### Customs

Seeking a PowerSTAR solution that isn't in the catalog?

Bison Gear and Engineering can provide custom solutions to specific applications. Consult with our application team today! Examples of custom options include:

- Custom Motor Sizes
- Custom Mounting Components

*Note: Custom options are subject to special lead times. Minimum order quantities may apply. Consult Bison for more information.*

### THE BISON VALUE

**Robusticity** - There's a simple philosophy behind the design of every Bison product: start with the highest quality components and then, through better design and manufacturing techniques, maximize the throughput those components can produce. Higher quality components means more dependable performance, fewer field failures, up to 200% more torque than typical - leading to a lower cost per inch-pound of torque, a more compact product and longer service life.

**Engineering Excellence** - We take pride that we are Bison Gear and Engineering. With more than 35% of our staff being an accredited engineer, we are committed to maintaining the engineering excellence needed to meet and exceed our customers' expectations. So whether you need a standard unit or custom design, Bison has the engineering capability to provide optimized designs for your application needs.

**Customer Service** - Our dedicated staff of inside customer service representatives and outside technical sales team means that Bison is always available to assist our customers with quick response to their immediate needs.

**Flexible Manufacturing** - Whether the need is a lot or just a few at a time, Bison's lean optimized manufacturing floor is able to rapidly respond to the needs of our customers. Our factory is equipped with state-of-the-art manufacturing equipment, allowing us to get the products out the door and into the hands of the customer faster.

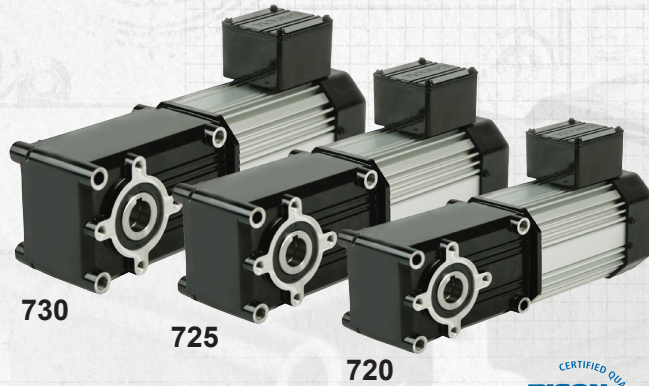
**Corporate Responsibility** - At Bison, we uphold our responsibility to our associates and our community. With our continued education programs (G.E.A.R) and our MSSC training center, we provide our associates with a pathway for advancement and a long-lasting career in manufacturing. Through BisonCares, our 401c organization, we contribute to a number of local and national charities and manage several programs to give back to the community.

**Proudly Made in the USA!**



# THE BEST JUST GOT BETTER...

ADDING NEW FRAME SIZES AND MOTOR CAPABILITIES



## PowerSTAR



**Best-in-class efficiency, versatility and value**

NEW 720 and 730 FRAME SIZES

1/15 - 1/2 HP; 35-1780 in-lbs

1PH & 3PH INVERTER DUTY MOTORS

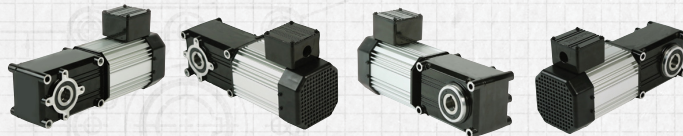
• NEW MOTORS:

115/230V 50/60Hz for ALL FRAME SIZES

230/400-460V 3-Phase for 725 and 730 Series

- Maximum power density means a compact profile without compromising performance
- Ground gearing provides whisper quiet operation, low backlash precision
- Latest hypoid gear technology for better energy efficiency
- Versatile mounting interchangeability to easily upgrade your installed drives
- Exclusive PowerSTAR® EP lubricant for extended life

Bison turns the corner on innovation. The new PowerSTAR® line of right-angle gearmotors combines the latest in hypoid gear design with exclusive manufacturing technology, multiple mounting configurations and Bison's Robusticity® design philosophy to provide unmatched efficiency and complete application versatility. Proudly made in America and available through Bison's dedicated distributor network, PowerSTAR® gearmotors are perfect for a multitude of packaging and industrial conveying equipment applications.



©2013 Bison Gear and Engineering Corp.

**BISON**  
Gear & Engineering Corp.